

keystudio

PIR Motion Sensor



Introduction

Pyroelectric infrared motion sensor can detect infrared signals from a moving person or moving animal, and output switching signals. It can be applied to a variety of occasions to detect the movement of human body. Conventional pyroelectric infrared sensors require body pyroelectric infrared detector, professional chip, complex peripheral circuit, so the size is bigger, with complex circuit, and lower reliability. Now we launch this new pyroelectric infrared motion sensor, specially designed for Arduino. It uses an integrated digital body pyroelectric infrared sensor, has smaller size, higher reliability, lower power consumption and simpler peripheral circuit.

Specification

Input Voltage: 3.3 ~ 5V, 6V Maximum

Working Current: 15uA

Working Temperature: -20 ~ 85 °C

Output Voltage: High 3V, low 0V

Output Delay Time (High Level): About 2.3 to 3 Seconds

Detection angle: 100 °

Detection distance: 7 meters

Output Indicator LED (When output HIGH, it will be ON)

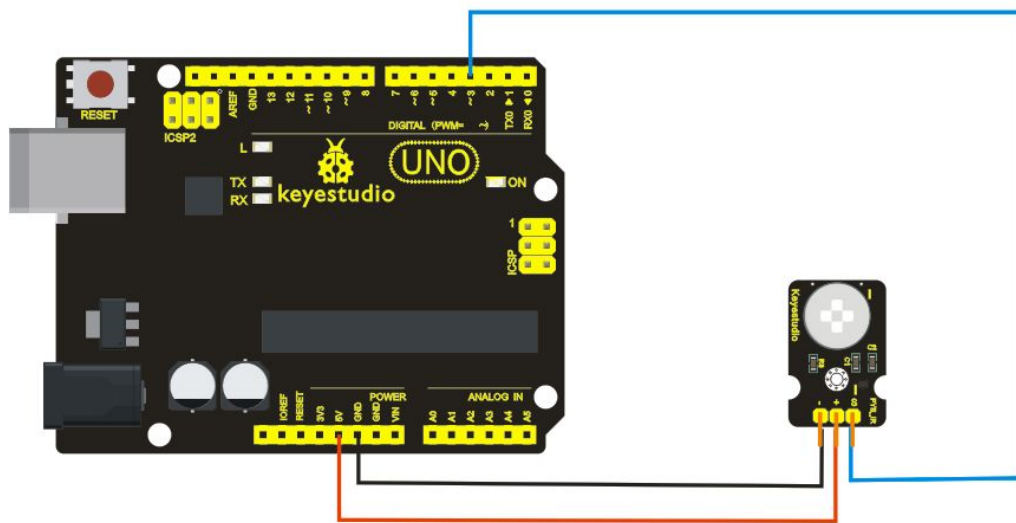
Pin limit current: 100mA

Size: 30*20mm

Weight: 4g

keyestudio

Connection Diagram



Sample Code

```
byte sensorPin = 3;
byte indicator = 13;
void setup()
{
  pinMode(sensorPin,INPUT);
  pinMode(indicator,OUTPUT);
  Serial.begin(9600);
}

void loop()
{
  byte state = digitalRead(sensorPin);
  digitalWrite(indicator,state);
  if(state == 1)Serial.println("Somebody is in this area!");
  else if(state == 0)Serial.println("No one!");
  delay(500);
}
```